

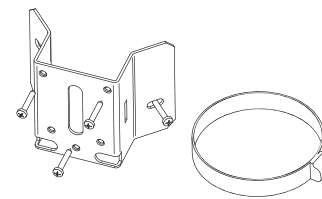
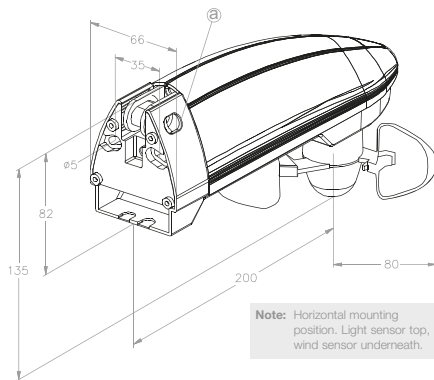
Technical data and dimensions

Type	Aero-868 Plus	Aero-868	Ventero-868
Power supply		solar	
Ingress protection (IP)		43	
Temperature range (°C)		-20 to +60	
Radio frequency (MHz)		868	
Unidirectional		•	
Bidirectional		•	
Detection angle (°) (Light/wind sensor)		150	
Standby (h)	~24		~12
Dimensions (mm)		L 280 x W 130 x H 130	
Weight (g)		380	360
There are different regulations for the USA, Canada, Australia and some countries in South America.		915	

Item Number	28 480.0006	28 440.0006	28 190.0006
-------------	-------------	-------------	-------------

Pole and corner adapter (Ø 60 – 80 mm)	•
----------------------------------------	---

Item Number
24 269.0202



Pole and corner adapter

Accessories



Radio receivers
from page 192